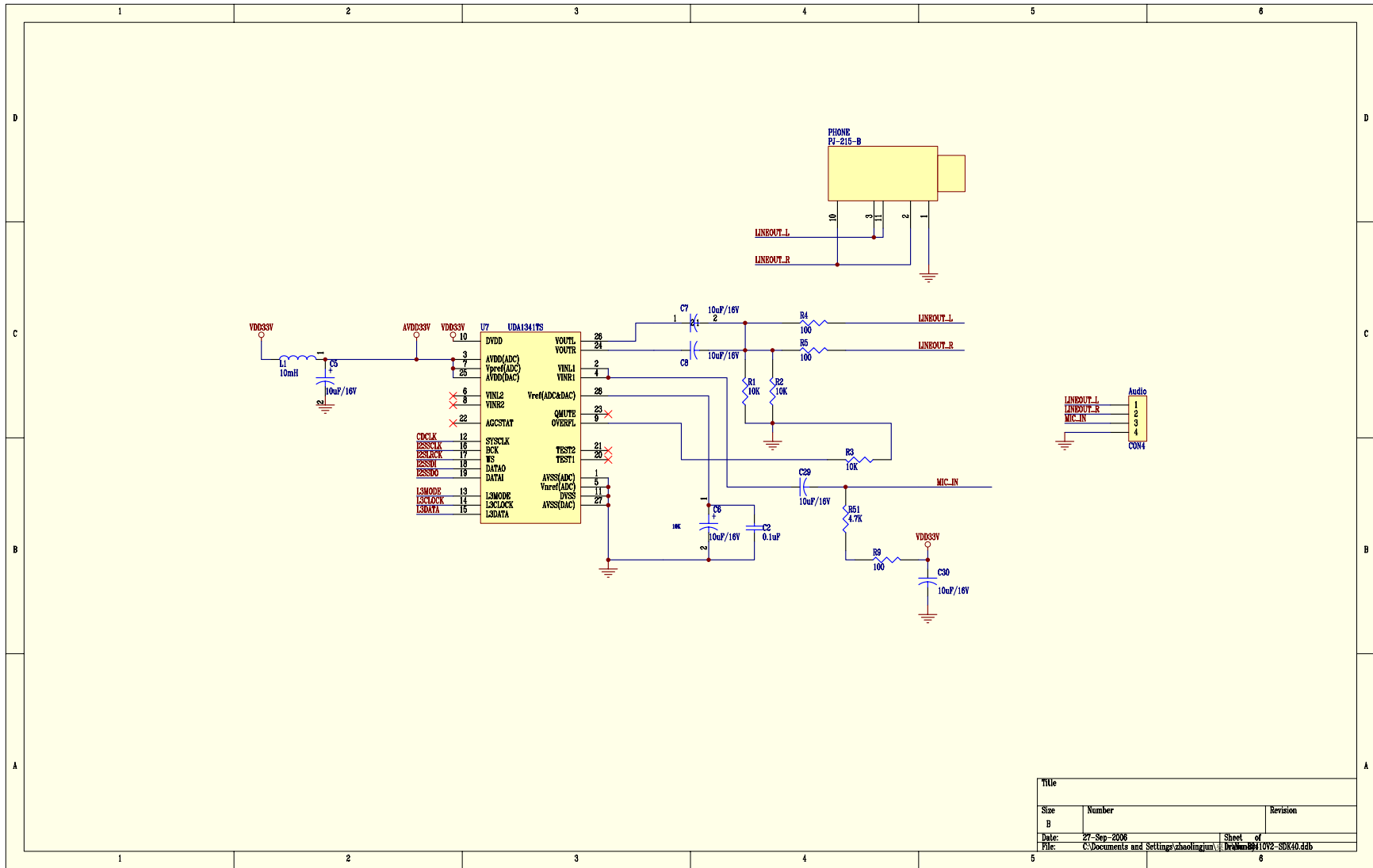
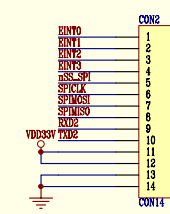
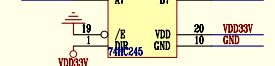
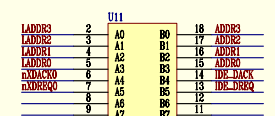
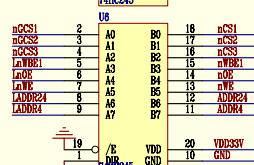
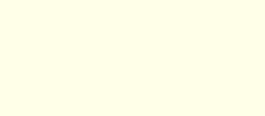
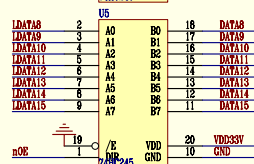
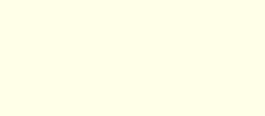
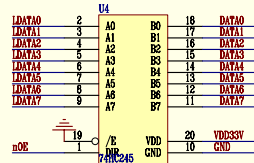
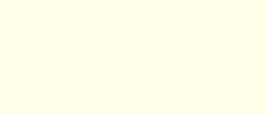
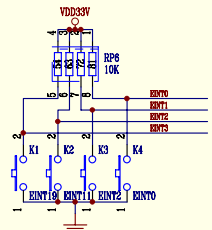
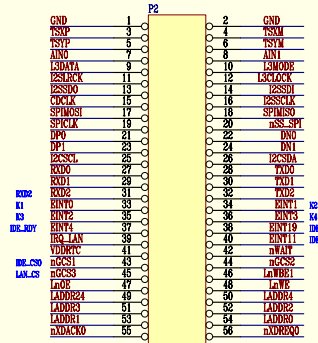
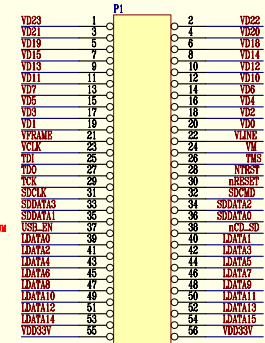


Title		
Size	Number	Revision
B		
Date:	27-Sep-2006	Sheet of
File:	C:\Documents and Settings\zhaolingjun\Drawings\10V2-SDX40.dbb	



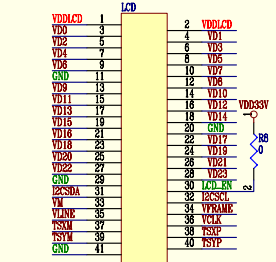
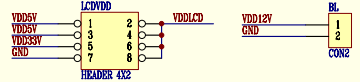
Title		
Size	Number	Revision
B		
Date:	27-Sep-2006	Sheet of
File:	C:\Documents and Settings\zhaolingjun\I	Drawn: 10102-SDX40.ddb



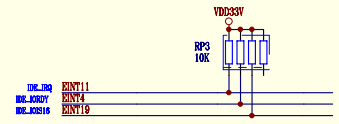
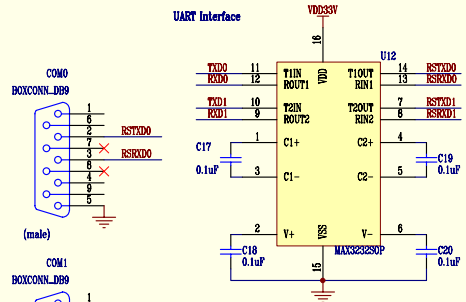
Title		
Size	Number	Revision
B		
Date:	27-Sep-2006	Sheet of
File:	C:\Documents and Settings\zhaolingjun\1\Drawings\10V2-SDX40.ddb	



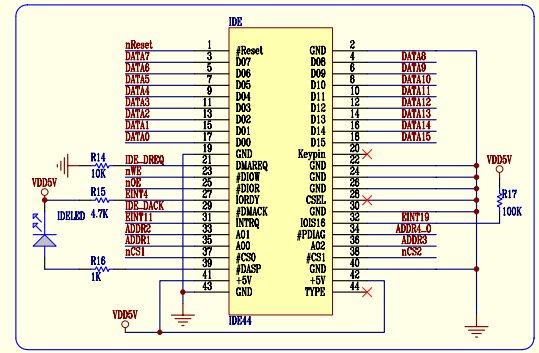
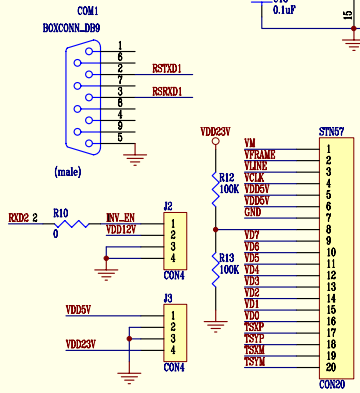
D



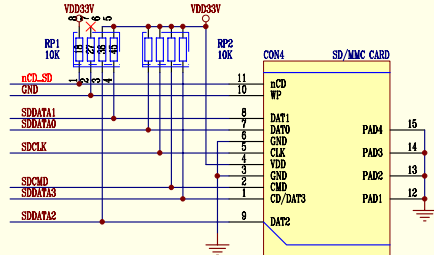
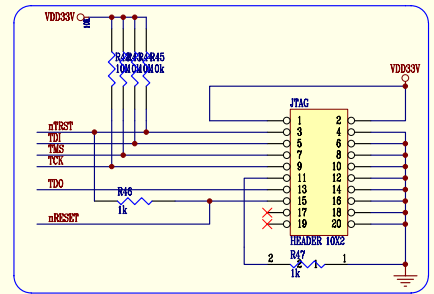
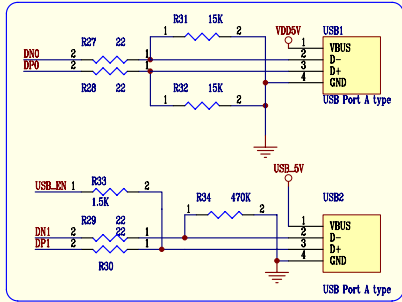
UART Interface



C



B



A

Title		
Size	Number	Revision
B		
Date:	27-Sep-2006	Sheet of
File:	C:\Documents and Settings\zhaolingjun\1\Drawings\10V2-SDX40.ddb	Sheet of

